

## FEATURES

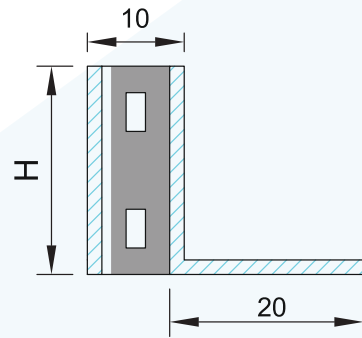
Tile Movement Joint NMJ-1L is manufactured using one flat side plate on side and L-plate on the other side bonded to the rubber insert. These profiles are particularly useful for perimeter fixing or an existing finished area. Rubber inserts are available in 10 standard colours.

All profiles are fabricated for a cut length of 2.44 meters or any required length less than 2.44 meters.

## APPLICATIONS

### MOVEMENT JOINTS

Type	H (mm)	W (mm)	L (m)
NMJ-1L10	10	10	2.44
NMJ-1L12.5	12.5	10	2.44
NMJ-1L15	15	10	2.44
NMJ-1L 20	20	10	2.44
NMJ-1L 25	25	10	2.44
NMJ-1L 30	30	10	2.44
NMJ-1L 50	50	10	2.44



Note:

- Other sizes / shapes are available upon request.

## STANDARD COLORS

