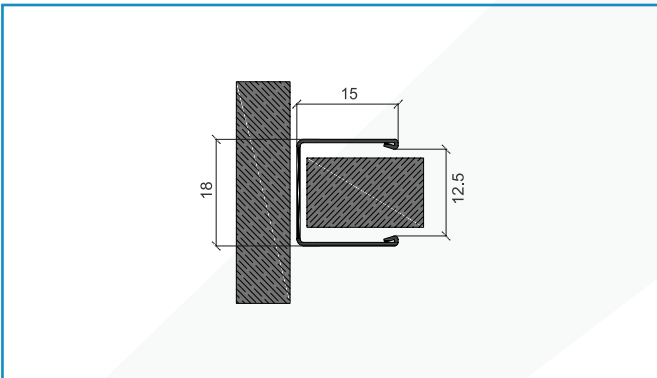


FEATURES

NEXUS NGCH 15 profile is a Stainless Steel Glass Groove in both SS304 and SS316L Grades in Polished and Brush finish



SS 304 Polish Finish

Type	H (mm)	W (mm)	L (m)
NGCH 15	15	12.5	2.7

SS 316 Polish Finish

Type	H (mm)	W (mm)	L (m)
NGCHL 15	15	12.5	2.7

SS 304 Brush Finish

Type	H (mm)	W (mm)	L (m)
NGCHB 15	15	12.5	2.7

SS 316 Brush Finish

Type	H (mm)	W (mm)	L (m)
NGCHLB 15	15	12.5	2.7