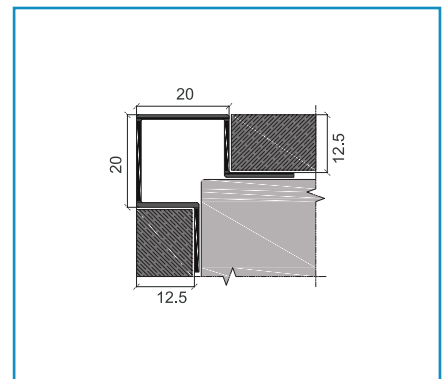
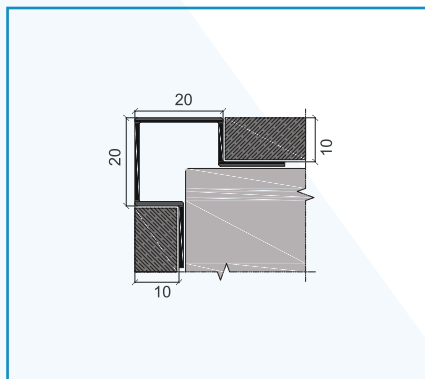
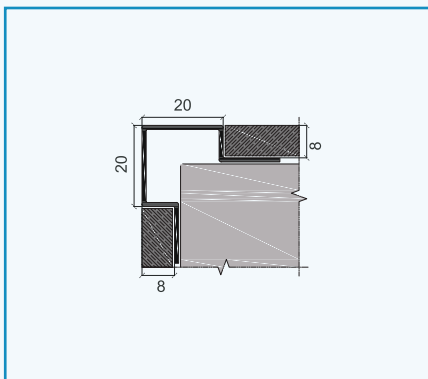




## FEATURES

NEXUS NCGT.. profile is a Square shape Stainless Steel trim for Walls in both SS304 and SS316L Grades in Polished and Brush finish.



### SS 304 Polish Finish

Type	H (mm)	W (mm)	L (m)
NCGT 2008	8	20	2.7
NCGT 2010	10	20	2.7
NCGT 2012	12	20	2.7

### SS 316 Polish Finish

Type	H (mm)	W (mm)	L (m)
NCGTL 2008	8	20	2.7
NCGTL 2010	10	20	2.7
NCGTL 2012	12	20	2.7

### SS 304 Brush Finish

Type	H (mm)	W (mm)	L (m)
NCGTB 2008	8	20	2.7
NCGTB 2010	10	20	2.7
NCGTB 2012	12	20	2.7

### SS 316 Brush Finish

Type	H (mm)	W (mm)	L (m)
NCGTLB 2008	8	20	2.7
NCGTLB 2010	10	20	2.7
NCGTLB 2012	12	20	2.7