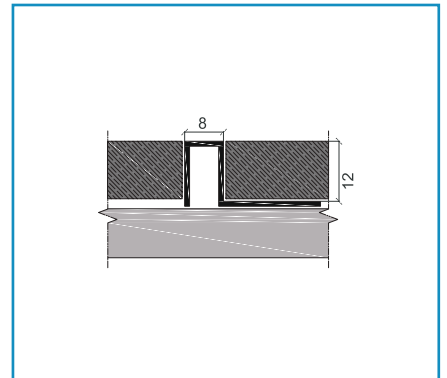
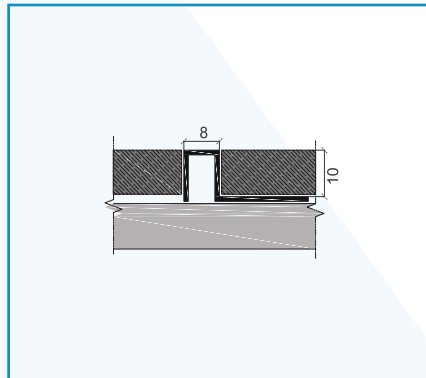
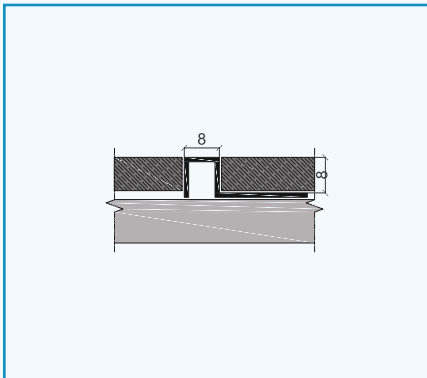


FEATURES

NEXUS NFSF..08 profile is a Stainless Steel Tile Trim for profile Walls in both SS304 and SS316L Grades in Polished and Brush finish.



SS 304 Polish Finish

Type	H (mm)	W (mm)	L (m)
NFSF 0808	8	8	2.7
NFSF 0810	10	8	2.7
NFSF 0812	12	8	2.7

SS 316 Polish Finish

Type	H (mm)	W (mm)	L (m)
NFSFL 0808	8	8	2.7
NFSFL 0810	10	8	2.7
NFSFL 0812	12	8	2.7

SS 304 Brush Finish

Type	H (mm)	W (mm)	L (m)
NFSF 0808	8	8	2.7
NFSF 0810	10	8	2.7
NFSF 0812	12	8	2.7

SS 316 Brush Finish

Type	H (mm)	W (mm)	L (m)
NFSFB 0808	8	8	2.7
NFSFB 0810	10	8	2.7
NFSFB 0812	12	8	2.7