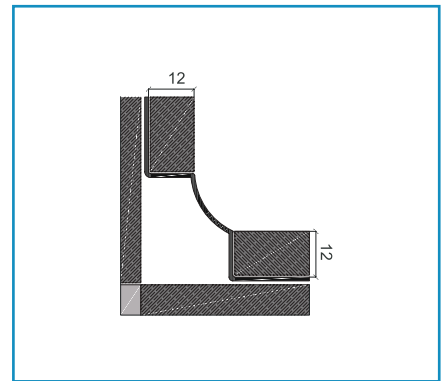
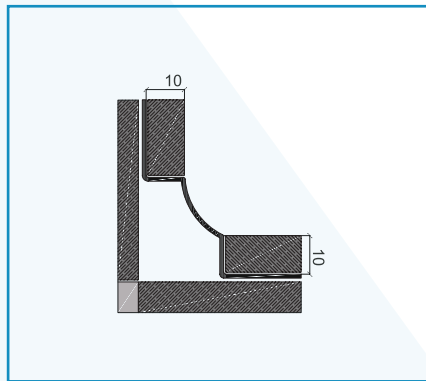
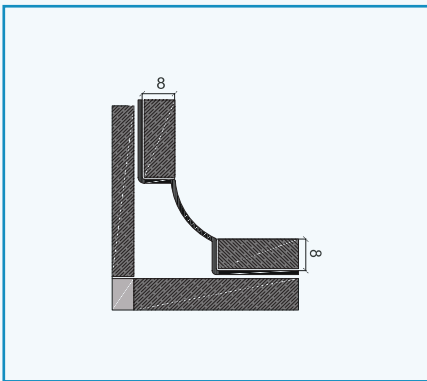




FEATURES

NEXUS NII profile is a Stainless Steel Internal Trims in both SS304 and SS316L Grades in Polished and Brush finish.



SS 304 Polish Finish

Type	H (mm)	W (mm)	L (m)
NII 08	8	8	2.7
NII 10	10	10	2.7
NII 12	12	12	2.7

SS 316 Polish Finish

Type	H (mm)	W (mm)	L (m)
NIIL 08	8	8	2.7
NIIL 10	10	10	2.7
NIIL 12	12	12	2.7

SS 304 Brush Finish

Type	H (mm)	W (mm)	L (m)
NIIB 08	8	8	2.7
NIIB 10	10	10	2.7
NIIB 12	12	12	2.7

SS 316 Brush Finish

Type	H (mm)	W (mm)	L (m)
NIILB 08	8	8	2.7
NIILB 10	10	10	2.7
NIILB 12	12	12	2.7