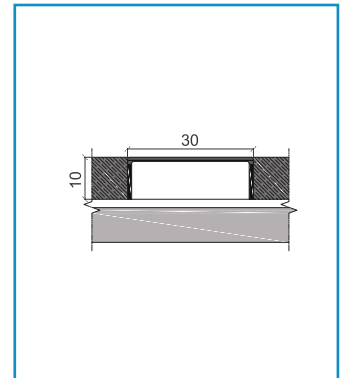
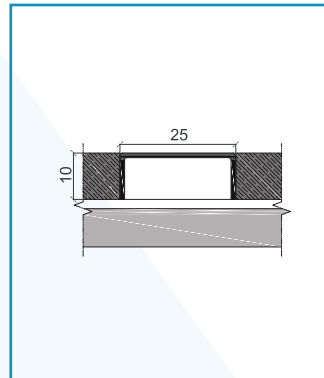
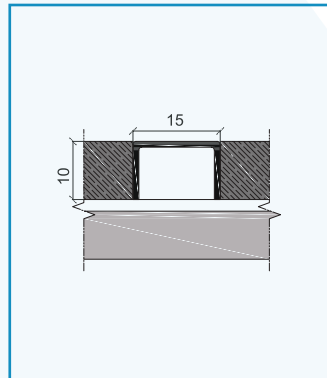
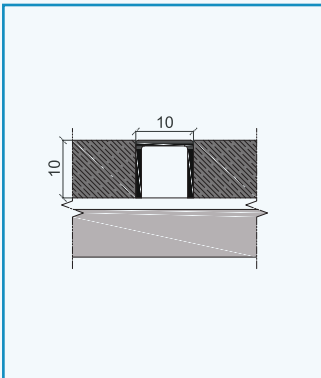


FEATURES

NEXUS NPSC 10 / 15 / 25 / 30 profile is a Bended Stainless Steel Channel for Floors and Walls available in both SS304 and SS316L Grades in Polished and Brushed finishes.



1010

SS 304 Polish Finish

| Type | H (mm) | W (mm) | L (m) |
|-----------|--------|--------|-------|
| NPSC 1010 | 10 | 10 | 2.7 |

SS 304 Brush Finish

| Type | H (mm) | W (mm) | L (m) |
|------------|--------|--------|-------|
| NPSCB 1010 | 10 | 10 | 2.7 |

SS 316 Polish Finish

| Type | H (mm) | W (mm) | L (m) |
|-----------|--------|--------|-------|
| NPSC 1010 | 10 | 10 | 2.7 |

SS 316 Brush Finish

| Type | H (mm) | W (mm) | L (m) |
|------------|--------|--------|-------|
| NPSCB 1010 | 10 | 10 | 2.7 |

1510

SS 304 Polish Finish

| Type | H (mm) | W (mm) | L (m) |
|-----------|--------|--------|-------|
| NPSC 1510 | 10 | 15 | 2.7 |

SS 304 Brush Finish

| Type | H (mm) | W (mm) | L (m) |
|------------|--------|--------|-------|
| NPSCB 1510 | 10 | 15 | 2.7 |

SS 316 Polish Finish

| Type | H (mm) | W (mm) | L (m) |
|-----------|--------|--------|-------|
| NPSC 1510 | 10 | 15 | 2.7 |

SS 316 Brush Finish

| Type | H (mm) | W (mm) | L (m) |
|------------|--------|--------|-------|
| NPSCB 1510 | 10 | 15 | 2.7 |

2510

SS 304 Polish Finish

| Type | H (mm) | W (mm) | L (m) |
|-----------|--------|--------|-------|
| NPSC 2510 | 25 | 15 | 2.7 |

SS 304 Brush Finish

| Type | H (mm) | W (mm) | L (m) |
|------------|--------|--------|-------|
| NPSCB 2510 | 25 | 15 | 2.7 |

SS 316 Polish Finish

| Type | H (mm) | W (mm) | L (m) |
|-----------|--------|--------|-------|
| NPSC 2510 | 25 | 15 | 2.7 |

SS 316 Brush Finish

| Type | H (mm) | W (mm) | L (m) |
|------------|--------|--------|-------|
| NPSCB 2510 | 25 | 15 | 2.7 |

3010

SS 304 Polish Finish

| Type | H (mm) | W (mm) | L (m) |
|-----------|--------|--------|-------|
| NPSC 3010 | 25 | 30 | 2.7 |

SS 304 Brush Finish

| Type | H (mm) | W (mm) | L (m) |
|------------|--------|--------|-------|
| NPSCB 3010 | 25 | 30 | 2.7 |

SS 316 Polish Finish

| Type | H (mm) | W (mm) | L (m) |
|-----------|--------|--------|-------|
| NPSC 3010 | 25 | 30 | 2.7 |

SS 316 Brush Finish

| Type | H (mm) | W (mm) | L (m) |
|------------|--------|--------|-------|
| NPSCB 3010 | 25 | 30 | 2.7 |