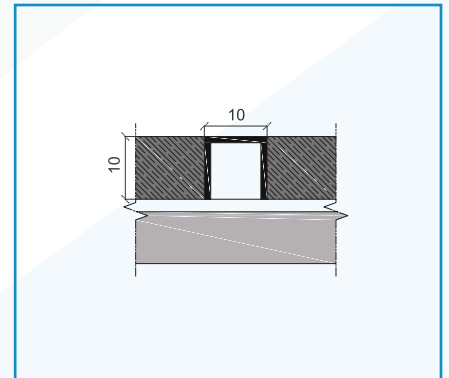
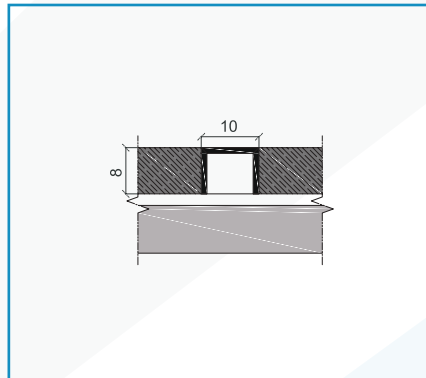
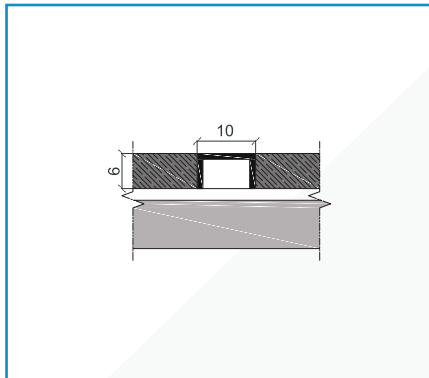


FEATURES

NEXUS NSC 10 profile is a Stainless Steel Channel for profile Floors and Walls in both SS304 and SS316L Grades in Polished and Brush finish.



SS 304 Polish Finish

Type	H (mm)	W (mm)	L (m)
NSC 1006	6	10	2.7
NSC 1008	8	10	2.7
NSC 1010	10	10	2.7

SS 316 Polish Finish

Type	H (mm)	W (mm)	L (m)
NSCL 1006	6	10	2.7
NSCL 1008	8	10	2.7
NSCL 1010	10	10	2.7

SS 304 Brush Finish

Type	H (mm)	W (mm)	L (m)
NSCB 1006	6	10	2.7
NSCB 1008	8	10	2.7
NSCB 1010	10	10	2.7

SS 316 Brush Finish

Type	H (mm)	W (mm)	L (m)
NSCB 1006	6	10	2.7
NSCB 1008	8	10	2.7
NSCB 1010	10	10	2.7