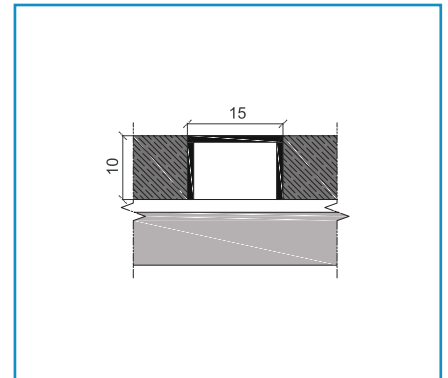
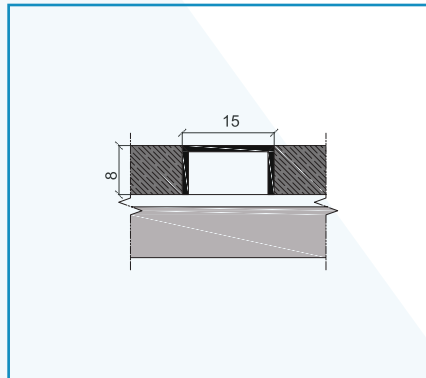
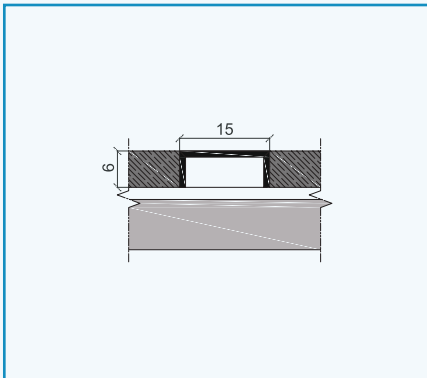




FEATURES

NEXUS NSC 15 profile is a Stainless Steel Channel for profile Floors and Walls in both SS304 and SS316L Grades in Polished and Brush finish.



SS 304 Polish Finish

Type	H (mm)	W (mm)	L (m)
NSC 1506	6	15	2.7
NSC 1508	8	15	2.7
NSC 1510	10	15	2.7

SS 316 Polish Finish

Type	H (mm)	W (mm)	L (m)
NSCL 1506	6	15	2.7
NSCL 1508	8	15	2.7
NSCL 1510	10	15	2.7

SS 304 Brush Finish

Type	H (mm)	W (mm)	L (m)
NSCB 1506	6	15	2.7
NSCB 1508	8	15	2.7
NSCB 1510	10	15	2.7

SS 316 Brush Finish

Type	H (mm)	W (mm)	L (m)
NSCLB 1506	6	15	2.7
NSCLB 1508	8	15	2.7
NSCLB 1510	10	15	2.7