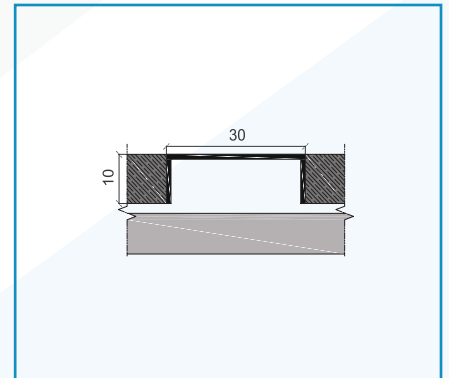
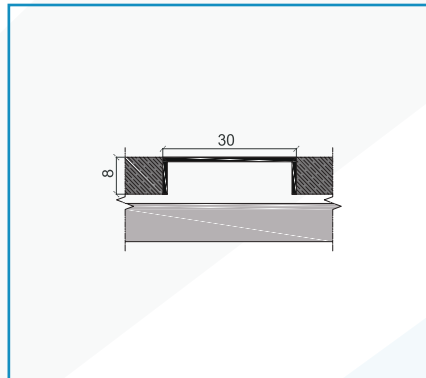
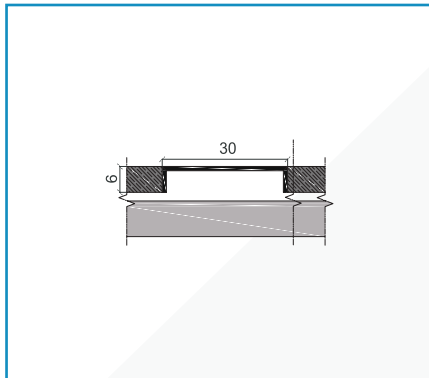


## FEATURES

NEXUS NSC 30 profile is a Stainless Steel Channel for profile Floors and Walls in both SS304 and SS316L Grades in Polished and Brush finish.



### SS 304 Polish Finish

Type	H (mm)	W (mm)	L (m)
NSC 3006	6	30	2.7
NSC 3008	8	30	2.7
NSC 3010	10	30	2.7

### SS 316 Polish Finish

Type	H (mm)	W (mm)	L (m)
NSCL 3006	6	30	2.7
NSCL 3008	8	30	2.7
NSCL 3010	10	30	2.7

### SS 304 Brush Finish

Type	H (mm)	W (mm)	L (m)
NSCB 3006	6	30	2.7
NSCB 3008	8	30	2.7
NSCB 3010	10	30	2.7

### SS 316 Brush Finish

Type	H (mm)	W (mm)	L (m)
NSCLB 3006	6	30	2.7
NSCLB 3008	8	30	2.7
NSCLB 3010	10	30	2.7