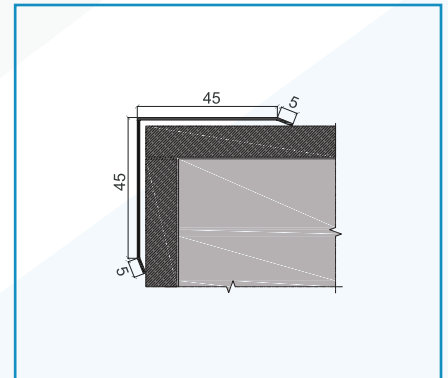
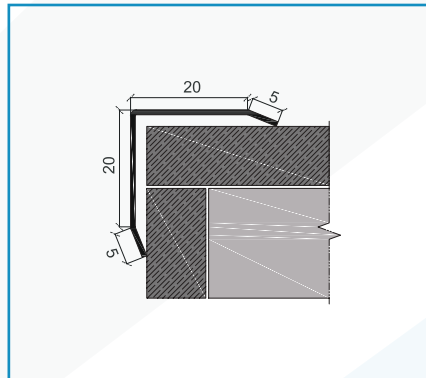
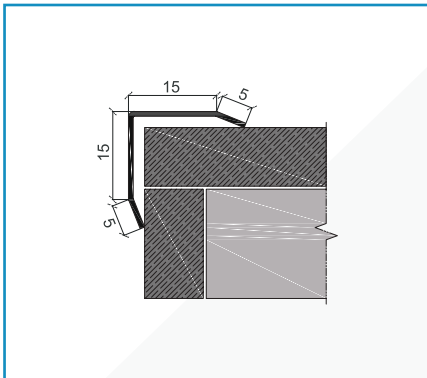


## FEATURES

NEXUS NSCG profile is a Stainless Steel External Corner Guard for Walls in both SS304 and SS316L Grades in Polished and Brush finish.



### SS 304 Polish Finish

Type	WxW [mm]	L [m]
NSCG 20	20x20	2.7
NSCG 25	25x25	2.7
NSCG 50	50x50	2.7

### SS 316 Polish Finish

Type	WxW [mm]	L [m]
NSCGL 20	20x20	2.7
NSCGL 25	25x25	2.7
NSCGL 50	50x50	2.7

### SS 304 Brush Finish

Type	WxW [mm]	L [m]
NSCGB 20	20x20	2.7
NSCGB 25	25x25	2.7
NSCGB 50	50x50	2.7

### SS 316 Brush Finish

Type	WxW [mm]	L [m]
NSCGLB 20	20x20	2.7
NSCGLB 25	25x25	2.7
NSCGLB 50	50x50	2.7