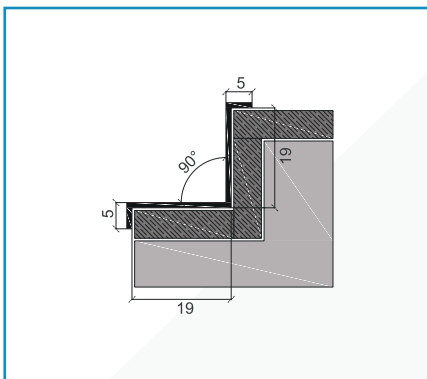


FEATURES

NEXUS NSEG profile is a Stainless Steel Internal Corner Guard in both SS304 and SS316L Grades in Polished and Brush finish.



SS 304 Polish Finish

Type	WxW [mm]	L [m]
NSEG 0520	19x19	2.7

SS 316 Polish Finish

Type	WxW [mm]	L [m]
NSEGL 0520	19x19	2.7

SS 304 Brush Finish

Type	WxW [mm]	L [m]
NSEGB 0520	19x19	2.7

SS 316 Brush Finish

Type	WxW [mm]	L [m]
NSEGLB 0520	19x19	2.7