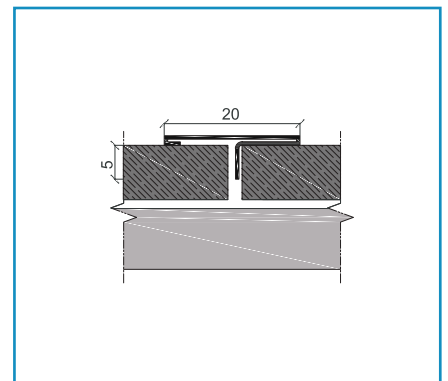
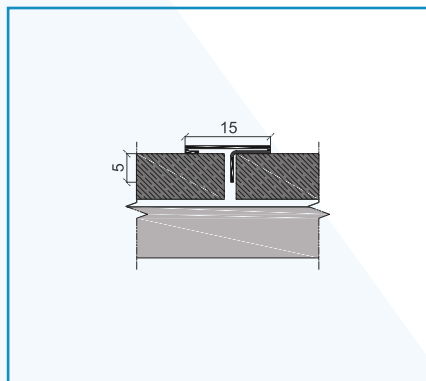
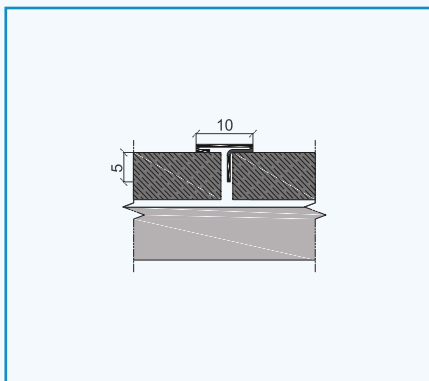


## FEATURES

NEXUS NSSS 10-20 profile is a T Shape Stainless Steel profile for Floors in both SS304 and SS316L Grades in Polished and Brush finish.



SS 304 Polish Finish

SS 316 Polish Finish

Type	H (mm)	W (mm)	L (m)
NSSS 1005	5	10	2.7
NSSS 1505	5	15	2.7
NSSS 2005	5	20	2.7

Type	H (mm)	W (mm)	L (m)
NSSSL 1005	5	10	2.7
NSSSL 1505	5	15	2.7
NSSSL 2005	5	20	2.7

SS 304 Brush Finish

SS 316 Brush Finish

Type	H (mm)	W (mm)	L (m)
NSSSB 1005	5	10	2.7
NSSSB 1505	5	15	2.7
NSSSB 2005	5	20	2.7

Type	H (mm)	W (mm)	L (m)
NSSSLB 1005	5	10	2.7
NSSSLB 1505	5	15	2.7
NSSSLB 2005	5	20	2.7