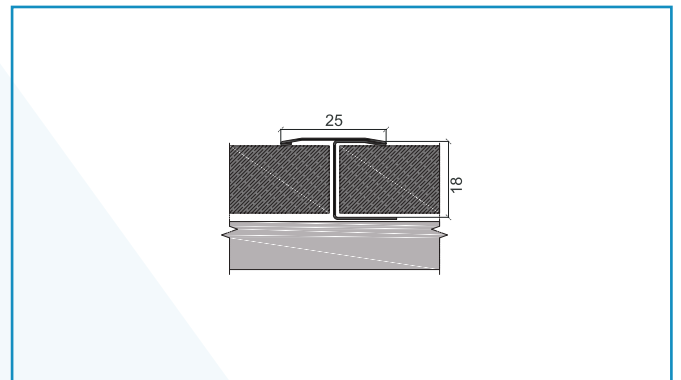
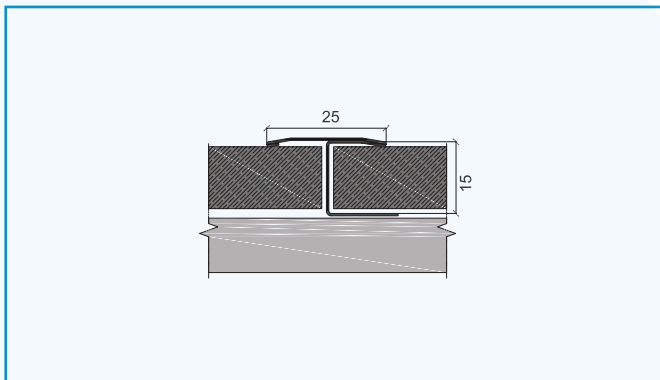


FEATURES

NEXUS NSST 25 profile is a Stainless Steel T Shape Profile for Floors in both SS304 and SS316L Grades in Polished and Brush finish.



SS 304 Polish Finish

Type	H (mm)	W (mm)	L (m)
NSST 2515	15	25	2.7
NSST 2518	18	25	2.7

SS 316 Polish Finish

Type	H (mm)	W (mm)	L (m)
NSSTL 2515	15	25	2.7
NSSTL 2518	18	25	2.7

SS 304 Brush Finish

Type	H (mm)	W (mm)	L (m)
NSSTB 2515	15	25	2.7
NSSTB 2518	18	25	2.7

SS 316 Brush Finish

Type	H (mm)	W (mm)	L (m)
NSSTLB 2515	15	25	2.7
NSSTLB 2518	18	25	2.7