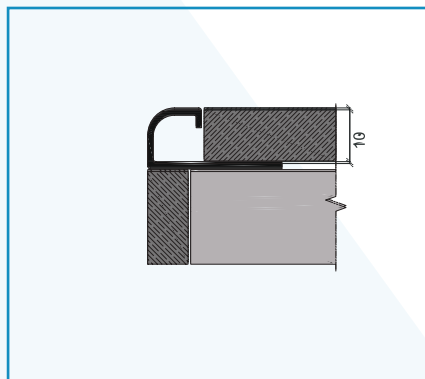
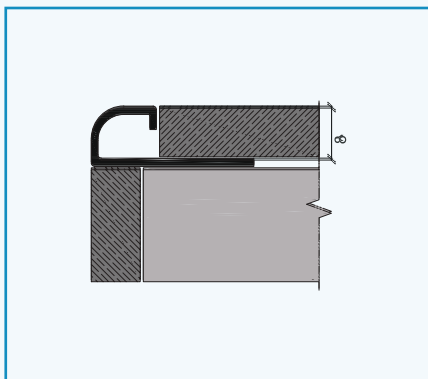




## FEATURES

NEXUS QEST profile is a Stainless Steel Quart shape Tile Trim for Walls available in both SS304 and SS316L Grades in Polished and Brushed finishes.



### SS 304 Polish Finish

Type	H (mm)	L (m)
QEST 08	8	2.7
QEST 10	10	2.7
QEST 12	12	2.7

### SS 316 Polish Finish

Type	H (mm)	L (m)
QESTL 08	8	2.7
QESTL 10	10	2.7
QESTL 12	12	2.7

### SS 304 Brush Finish

Type	H (mm)	L (m)
QESTB 08	8	2.7
QESTB 10	10	2.7
QESTB 12	12	2.7

### SS 316 Brush Finish

Type	H (mm)	L (m)
QESTLB 08	8	2.7
QESTLB 10	10	2.7
QESTLB 12	12	2.7