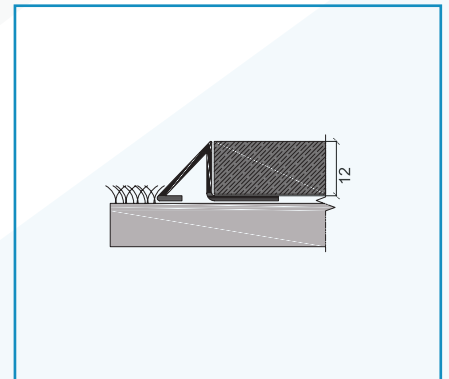
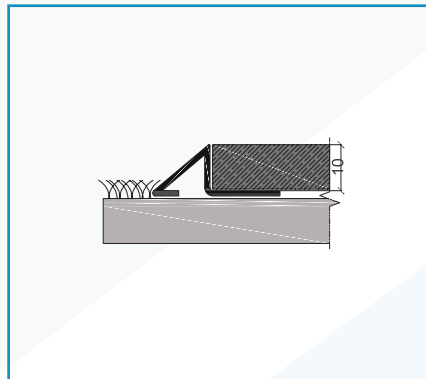
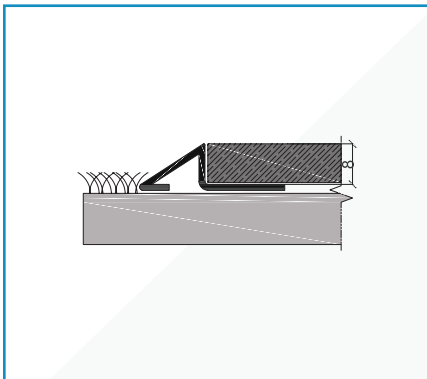


## FEATURES

NEXUS TRFT profile is a Stainless Steel Termination profile for Floors in both SS304 and SS316L Grades in Polished and Brush finish.



### SS 304 Polish Finish

Type	H (mm)	L [m]
TRFT 08	8	2.7
TRFT 10	10	2.7
TRFT 12	12	2.7

### SS 316 Polish Finish

Type	H (mm)	L [m]
TRFTL 08	8	2.7
TRFTL 10	10	2.7
TRFTL 12	12	2.7

### SS 304 Brush Finish

Type	H (mm)	L [m]
TRFTB 08	8	2.7
TRFTB 10	10	2.7
TRFTB 12	12	2.7

### SS 316 Brush Finish

Type	H (mm)	L [m]
TRFTLB 08	8	2.7
TRFTLB 10	10	2.7
TRFTLB 12	12	2.7