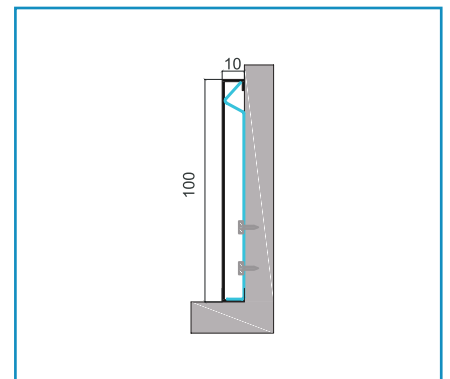
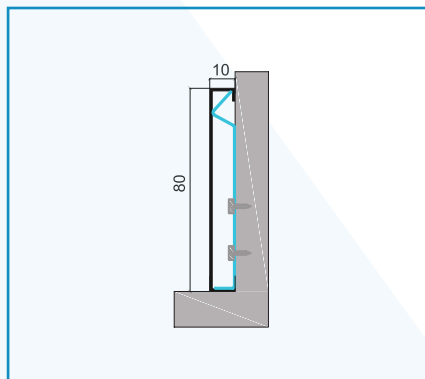
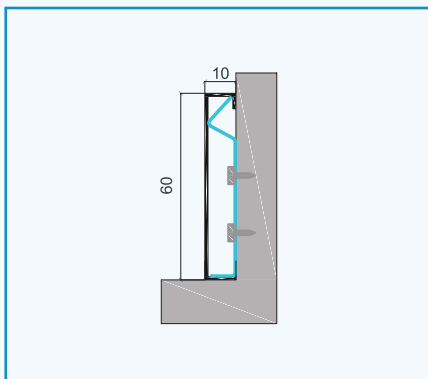




FEATURES

NEXUS NSSK 10 profile is a Stainless Steel Skirting with SS Clips (40mm length, 4 clips per length) available in both SS304 and SS316L Grades in Polished and Brushed finishes.



SS 304 Polish Finish

Type	H (mm)	W (mm)	L (m)
NSSK 6010	60	10	2.7
NSSK 8010	80	10	2.7
NSSK 10010	100	10	2.7

SS 316 Polish Finish

Type	H (mm)	W (mm)	L (m)
NSSKL 6010	60	10	2.7
NSSKL 8010	80	10	2.7
NSSKL10010	100	10	2.7

SS 304 Brush Finish

Type	H (mm)	W (mm)	L (m)
NSSKB 6010	60	10	2.7
NSSKB 8010	80	10	2.7
NSSKB 10010	100	10	2.7

SS 316 Brush Finish

Type	H (mm)	W (mm)	L (m)
NSSKLB 6010	60	10	2.7
NSSKLB 8010	80	10	2.7
NSSKLB 10010	100	10	2.7