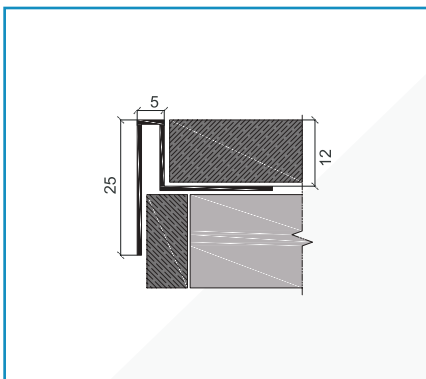




## FEATURES

NEXUS SAST 0525 profile is a Stainless Steel Step Nosing in both SS304 and SS316L Grades in Polished and Brush finish.



### SS 304 Polish Finish

Type	H (mm)	W (mm)	L (m)
SAST 0525	12	5	2.7

### SS 316 Polish Finish

Type	H (mm)	W (mm)	L (m)
SASTL 0525	12	5	2.7

### SS 304 Brush Finish

Type	H (mm)	W (mm)	L (m)
SASTB 0525	12	5	2.7

### SS 316 Brush Finish

Type	H (mm)	W (mm)	L (m)
SASTLB 0525	12	5	2.7