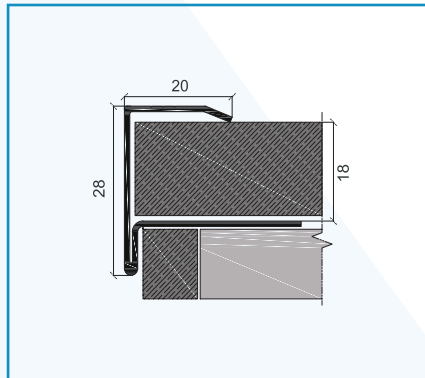
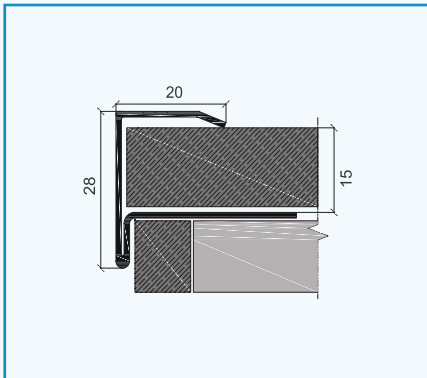




FEATURES

NEXUS SAST 2028 profile is a Stainless Step Nosing in both SS304 and SS316L Grades in Polished and Brush finish.



SS 304 Polish Finish

Type	H (mm)	W (mm)	L (m)
SAST 2015	15	20	2.7
SAST 2018	18	20	2.7

SS 316 Polish Finish

Type	H (mm)	W (mm)	L (m)
SASTL 2015	15	20	2.7
SASTL 2018	18	20	2.7

SS 304 Brush Finish

Type	H (mm)	W (mm)	L (m)
SASTB 2015	15	20	2.7
SASTB 2018	18	20	2.7

SS 316 Brush Finish

Type	H (mm)	W (mm)	L (m)
SASTLB 2015	15	20	2.7
SASTLB 2018	18	20	2.7