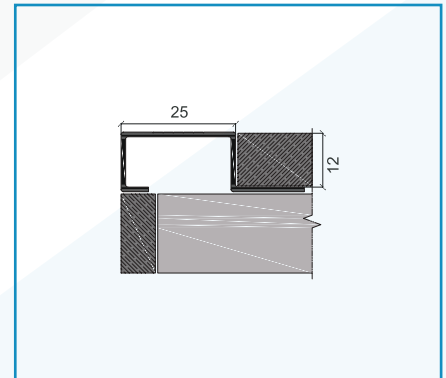
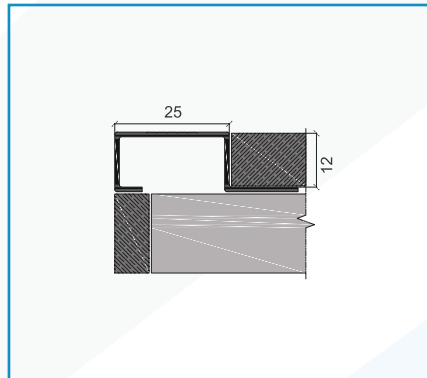
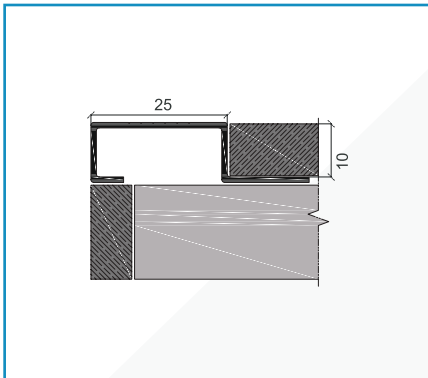




FEATURES

NEXUS SAST 2510 profile is a Stainless Steel Step Nosing in both SS304 and SS316L Grades in Polished and Brush finish.



SS 304 Polish Finish

Type	H (mm)	W (mm)	L (m)
SASTL 10	10	25	2.7
SASTL 12	12	25	2.7
SASTL 14	14	25	2.7

SS 316 Polish Finish

Type	H (mm)	W (mm)	L (m)
SASTL 10	10	25	2.7
SASTL 12	12	25	2.7
SASTL 14	14	25	2.7

SS 304 Brush Finish

Type	H (mm)	W (mm)	L (m)
SASTB 10	10	25	2.7
SASTB 12	12	25	2.7
SASTB 14	14	25	2.7

SS 316 Brush Finish

Type	H (mm)	W (mm)	L (m)
SASTLB 10	10	25	2.7
SASTLB 12	12	25	2.7
SASTLB 14	14	25	2.7