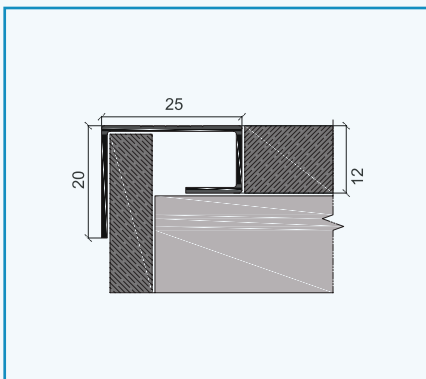




FEATURES

NEXUS SAST 2512 profile is a Stainless Steel Step Nosing in both SS304 and SS316L Grades in Polished and Brush finish.



SS 304 Polish Finish

Type	H (mm)	W (mm)	L (m)
SAST 2520	12	25	2.7

SS 316 Polish Finish

Type	H (mm)	W (mm)	L (m)
SASTL 2520	12	25	2.7

SS 304 Brush Finish

Type	H (mm)	W (mm)	L (m)
SASTB 2520	12	25	2.7

SS 316 Brush Finish

Type	H (mm)	W (mm)	L (m)
SASTLB 2520	12	25	2.7